

## TOUCAN 8E MAST BOOM LIFTS

### Platform

- 0.85 x 0.90 m (L x W) steel platform
- Slide bar rear entry
- Full proportional drive and slew joystick control with integral thumb steer switch
- Mini joysticks provide proportional mast and jib lift/lower functions (and telescope on 12m models)
- 1.17 m articulating jib
- Function enable with enlarged LCD function status display
- Load sensing system
- AC power cable to platform
- Large tool tray

### Power & Transmission

- Two wheel direct electric drive
- Brushless AC drive motors
- 24V 185 A/hr deep cycle monobloc batteries
- On-board 110V/230V HF battery charger
- Powered battery fill
- Auto power save when idle
- Low charge function cut-out
- On-board diagnostics with integral display
- Automatic rear wheel brakes
- Sculptured polyester hoods

### Functional Equipment & Accessories

- Heavy duty steel roller mast with 345° rotation
- Chain slack detection system
- 2 degree tilt alarm and indicator light
- 406 x 125 solid non-marking tyres
  - Passive pothole protection system
  - 0.99 m wide frame
  - Lifting /tie down rings
  - Ground control selector switch with key lock
  - Battery discharge indicator
  - Hour meter
  - Horn
  - Drive orientation system
- Lanyard anchor points
- Zenon strobe light
- Manual descent system

### Available Options

- 1.10 m x 0.90 m (Lx W) XL platform
- 8mm air line to platform
- 24V 180 A/hr sealed AGM batteries in lieu of standard
- Acoustic alarm
- Food compatible lubricants
- Low temperature lubrication
- Plugs & Sockets <sup>1</sup>

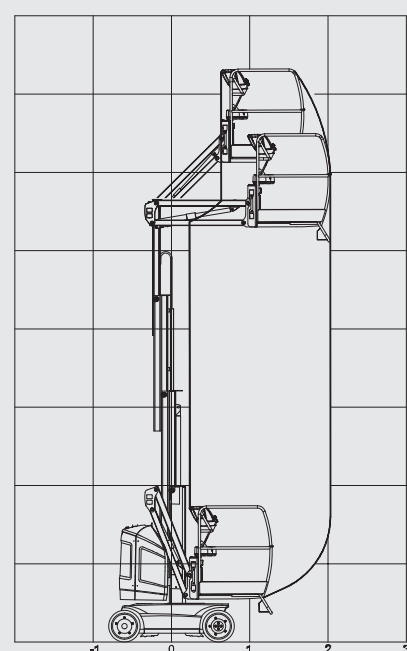


<sup>1</sup> Included with circuit breaker on AC cable to platform option. NB 110V or 230V power must be specified

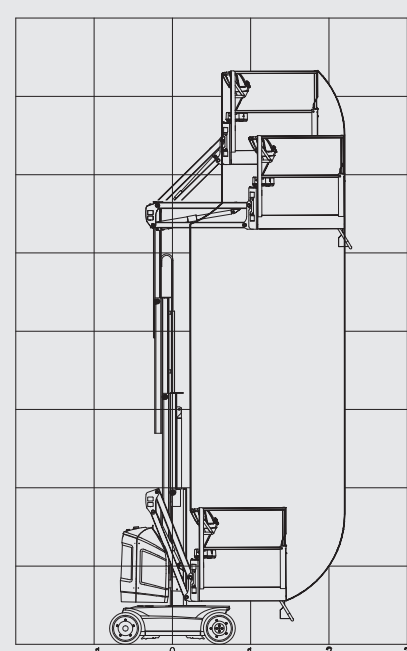
## TOUCAN 8E MAST BOOM LIFTS

Working height	8.15 m
Platform height	6.15 m
Working outreach (standard platform)	2.39 m
Working outreach (XL platform)	2.65 m
Up and over height	5.10 m
Swing (not continuous)	345°
Platform capacity <sup>1</sup>	200 kg
Jib - overall length	1.17 m
Jib - range of articulation	113° (+45°/-68°)
A. Platform size standard platform (L x W)	0.85 x 0.90 m
Platform size XL platform (L x W)	1.10 x 0.90 m
B. Overall width	0.99 m
C. Tailswing	17.5 cm
D. Stowed height	1.99 m
E. Overall length (standard platform)	2.09 m
Overall length (XL platform)	2.35 m
F. Wheelbase	1.20 m
G. Ground clearance	10 cm
Machine weight - standard platform <sup>2</sup>	2,120 kg
Machine weight - XL platform <sup>2</sup>	2,340 kg
Maximum ground bearing pressure	18,2 kg/cm <sup>2</sup>
Drive speed - lowered	5.5 km/h
Drive speed - elevated	0.75km/h
Turning radius (outside)	1.99 m
Turning radius (inside)	0.55 m
Gradeability	25%
Break over angle	25%
Steer angle	60°
Max. allowable tilt angle	2°
Tyres (non-marking solid)	406 x 125 mm
Electrical system	24V DC
Batteries (deep cycle)	24 V - 185 A/hr
Charger	24V - 25A
Drive motors	Dual AC motors
Brakes	Disc
Electrical (pump) motor	3kW 24V DC
Hydraulic system	10 L
Peter Hird cycles	75

Toucan 8E



Toucan 8E XL



**JLG Industries, Inc. is a leading designer and manufacturer of access equipment and complementary services and attachments.**

JLG has manufacturing facilities in the United States, France, Romania, China and Belgium. Customers throughout Europe, Scandinavia, Africa and the Middle East benefit from a network of dedicated sales and service operations designed to deliver the highest levels of support.

**JLG is an Oshkosh Corporation company.**

**[www.jlgeurope.com](http://www.jlgeurope.com)**

<sup>1</sup> Capacity shown is maximum two persons indoor and outdoor (12.5 m/s wind speed)  
<sup>2</sup> Certain options or country standards may increase weight and/or dimensions.